

Technical data

Nominal Voltage	U_N	24 V
Operating Voltage	U_{OP}	22 V...30 V
Coil Current	I_C	$\leq 72 \text{ mA} \pm 5 \%$
Test Temperature	T_P	$+20 \text{ }^\circ\text{C} \pm 2 \text{ }^\circ\text{C}$
Test Voltage	U_P	$26 \text{ V} \pm 0,2 \text{ V}$
Nominal Load	P_N	10 A
Operating Temperature	T_{OP}	$-40 \text{ }^\circ\text{C} \dots +80 \text{ }^\circ\text{C}$
Storage Temperature	T_{STO}	$+110 \text{ }^\circ\text{C} @ 2 \text{ h}$
Unit Weight	W	36 g
Life Time		200.000 cycles

**Power supply (Up) standing on 15-31:
contact 30-87a in ON – contact 30-87 in OFF.**

**After programmed time (T) in seconds:
contact 30-87a OFF – contact 30-87 ON.**

Materials

Baseplate	Nylon PA 6,6 + 30 % Glass fibre Black
Cap	Nylon PA 6,6 + 15 % Glass fibre Red
Terminals	Cu Zn (6,3 x 0,8 mm)
Metal Bracket	CK 67 Hardness 490 ± 525 HV1

Approvals

In conformity with:	ISO 7588 – DIN 46244 – ISO 8092
	UNI EN ISO 9001-2000
	EU Dir. 2002/95/EC RoHS
	DIR. 95/54 CE
	REG. 10 ECE-ONU/02
	DIN 40050: IP5K4
	Terminals pointing downwards
	EMC DIN 40839

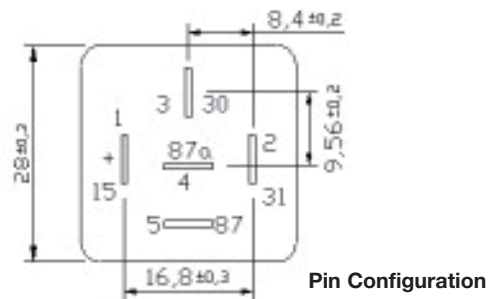
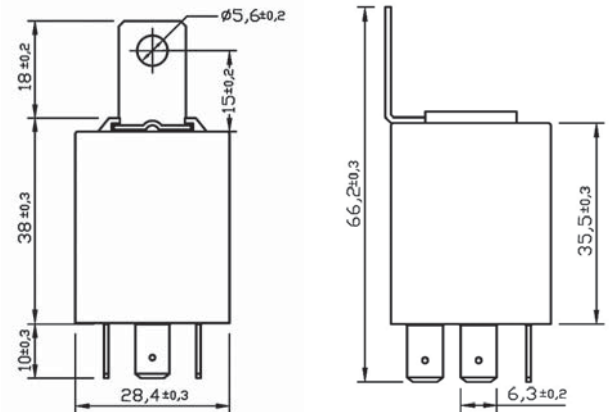
Part number information

The letter S, in the final part of code, needs to be replaced with a number that represents required delay in seconds.
(i.e. TR20-4C5-1-3s = 3 seconds delay)

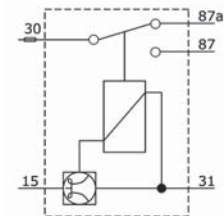


TR20-4C5-1-xxS
Delay (t) seconds

Dimensions



Wiring diagram



Functioning scheme

