

Technical data

Nominal Voltage	U_N	12 V
Operating Voltage	U_{OP}	11 V...15 V
Coil Current	I_C	$\leq 120 \text{ mA} \pm 5 \%$
Test Temperature	T_P	$+20 \text{ }^\circ\text{C} \pm 2 \text{ }^\circ\text{C}$
Test Voltage	U_P	$13 \text{ V} \pm 0,2 \text{ V}$
Nominal Load	P_N	20 A
Operating Temperature	T_{OP}	$-40 \text{ }^\circ\text{C} \dots +80 \text{ }^\circ\text{C}$
Storage Temperature	T_{STO}	$+110 \text{ }^\circ\text{C} @ 2 \text{ h}$
Unit Weight	W	36 g
Life Time		200.000 cycles

Power supply (Up) standing on 15-31: after the impulse contact 30-87 switch to ON – contact 30-87a switch to OFF.

After programmed time in minutes (T): contact 30-87 switch back to OFF – contact 30-87a switch back to ON.

Materials

Baseplate	Nylon PA 6,6 + 30 % Glass fibre Black
Cap	Nylon PA 6,6 + 15 % Glass fibre Red
Terminals	Cu Zn (6,3 x 0,8 mm)
Metal Bracket	CK 67 Hardness 490 \pm 525 HV1

Approvals

In conformity with:	ISO 7588 – DIN 46244 – ISO 8092
	UNI EN ISO 9001-2000
	EU Dir. 2002/95/EC RoHS
	DIR. 95/54 CE
	REG. 10 ECE-ONU/02
	DIN 40050: IP5K4
	Terminals pointing downwards
	EMC DIN 40839

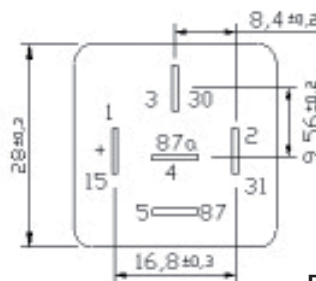
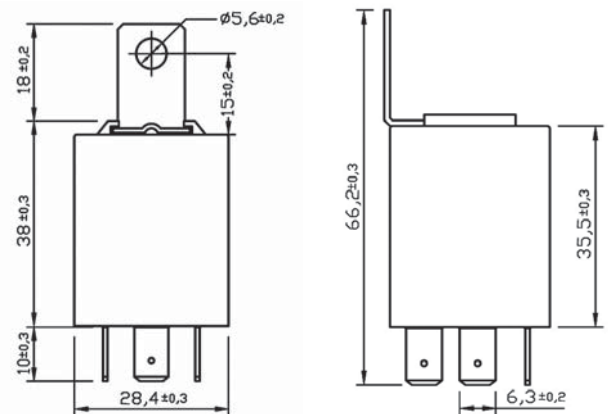
Part number information

Before the letter M, in the final part of the code, needs to be added the number that represents the required delay in minutes.
(i.e. TR20-2D5-1-3min = 3 minutes delay)



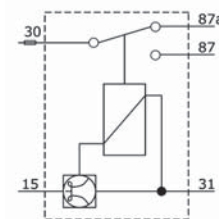
TR20-2D5-1-xxM
Delay (t) minutes

Dimensions



Pin Configuration

Wiring diagram



Functioning scheme

